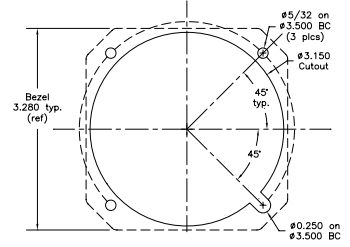
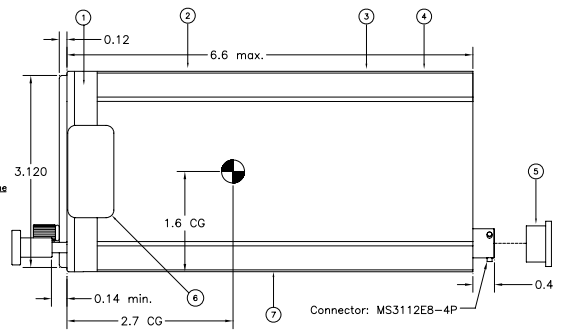
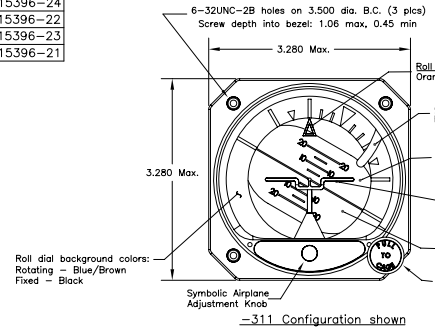


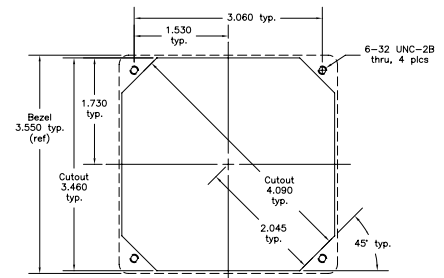
Configuration				
Dash #	Face Layout	Roll Dial	Symbolic Airplane	EGH Assembly
-311	A	Rotating	Traditional	9015396-8
-312	B	Fixed	Traditional	9015396-4
-313	C	Rotating	Delta	9015396-7
-314	D	Fixed	Delta	9015396-3
-331	E	Rotating	Traditional	9015396-24
-332	F	Fixed	Traditional	9015396-22
-333	G	Rotating	Delta	9015396-23
-334	H	Fixed	Delta	9015396-21

Revisions				Date	Approved
ECO	Rev.	Description			
4337	N	Note 5: D0160 Temp/Alt C1 was A2, HIRF WW was RR.		5/11/05	UBR/Sch
4395	P	Add NVG to Lighting Color Options.		8/15/05	UBR/BAW
4834	R	Delete -30X single voltage versions.		4/30/07	Sch/MCH
4967	S	Update D0160 specification from ...[WW][A3C3]... to ...[WF][A3H33]... Add BOM. Reorganize drawing.		1/16/08	MKN/Sch

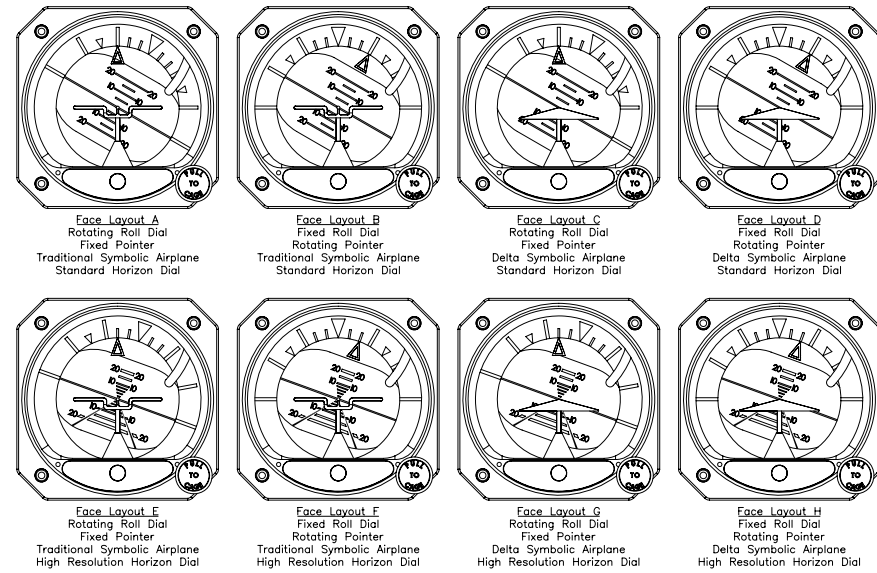


4300 Series Rear-Mount Panel Cutout  
Maximum panel thickness: 0.14

10V to 32V Connector Pinout	
A	Ground (DC)
B	Lighting (No polarity)
C	+10VDC to 32VDC Input
D	Lighting (No polarity)



4300 Series Front-Mount Panel Cutout



OPTIONS TABLE	
Panel Tilt Calib.	0° to 20°
Lighting Voltage	5V or 14V or 28V (9015640-X)
Lighting Color	White or Blue/White or Red or NVIS
Miscellaneous Parts:	Non-trimmable Symbolic Airplane Knob Cover (P/N 36022)
	Slip Indicator Kit (P/N 36023)
	Front Mount Kit: 3/32" thk (P/N 36028-1) or 1/2" thk (P/N 36027-1)
	Panel Wedges: 3" (PW3R-3) or 4" (PW3R-4)
	Mating Connector Kit (P/N 9015514)

- Note:
- Power Input: 10 to 32 VDC  
Current ratings:  
(at 14 VDC) start 1.5A Max, run 0.55A nominal ±15%.  
(at 27.5 VDC) start 0.7A Max, run 0.27A nominal ±15%.
  - User replaceable light tray wired through rear connector.
  - Meets requirements of FAA TSO C4c.
  - MTBF 7500 hours.
  - Qualified to: RTCA DO-160D Env. Cat. C1BAB((SBM)(RBB1))XXXXZZAZZ[WF][A3H33]XXA.
  - Connector: MS3112EB-4P. Mates with: MS3116F8-4S or equivalent.
  - Cover glass is HEA (anti-reflective) coated.
  - Weight: 2.7 lbs.
  - Seam to be covered with acetate tape (8017360) for dust protection.
  - Rotating Roll Dial background is Blue/Brown with White index marks. Fixed Roll Dial background is Flat Black with White index marks.
  - Bezel is black.

Colors (Per Fed-Std-595b)	
Blue	# 35250
Brown	# 30108
Red	# 38905
Black	# 37038
White	# 37875
Orange	Day-Glo Arc Yellow #16

UNLESS OTHERWISE SPECIFIED, ALL DIMENSIONS ARE IN INCHES.  
TOLERANCE:  
FRACTIONAL ±1/64  
.XX ±0.015  
.XXX ±0.005  
.XXXX ±0.002  
ANGULAR ±0.5°  
CONCENTRICITY: 0.005 TIR  
BREAK ALL SHARP EDGES  
THREADS PER MIL-S-7742

DRAWN:  
N. Kow  
7/12/02  
APPROVED:  
7/12/02

This document discloses proprietary information of Mid-Continent Instrument Co. It may be reproduced or disclosed only with written permission of Mid-Continent Instrument Co. and is not to be used in any way detrimental to the interests of Mid-Continent Instrument Co.



TITLE: Electric Attitude Indicator	PART NUMBER: 4300-3( )
SCALE: None	DO NOT SCALE THIS DRAWING
SHEET 1 of 1	

Item	Qty	Part Number	Description
1	A/R	8017360	Tape, Acetate
2	1	6018865	Decal, Caution
3	1	36024-5	Nameplate
4	1	36025-1	Decal, Options EGH
5	1	8012486-10YF	Cover, Connector
6	1	6018956	Decal, Warranty
7	1	See Config.	EGH Assy