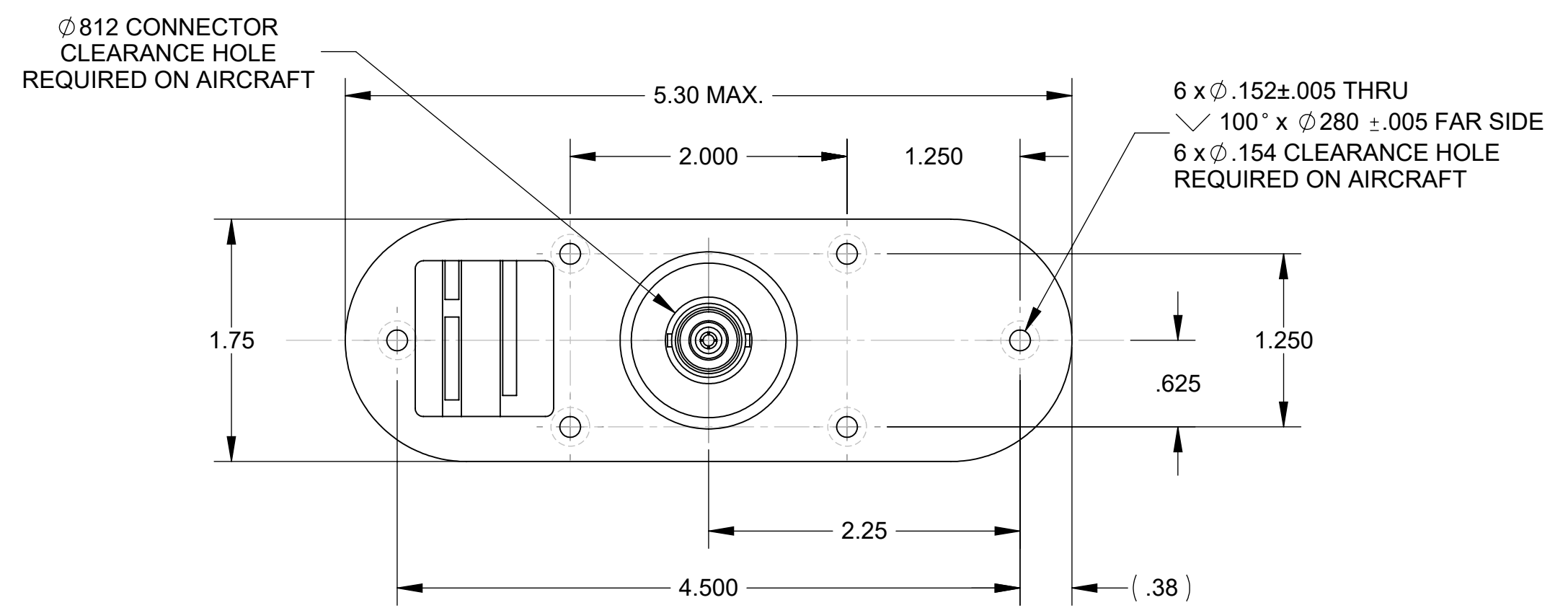
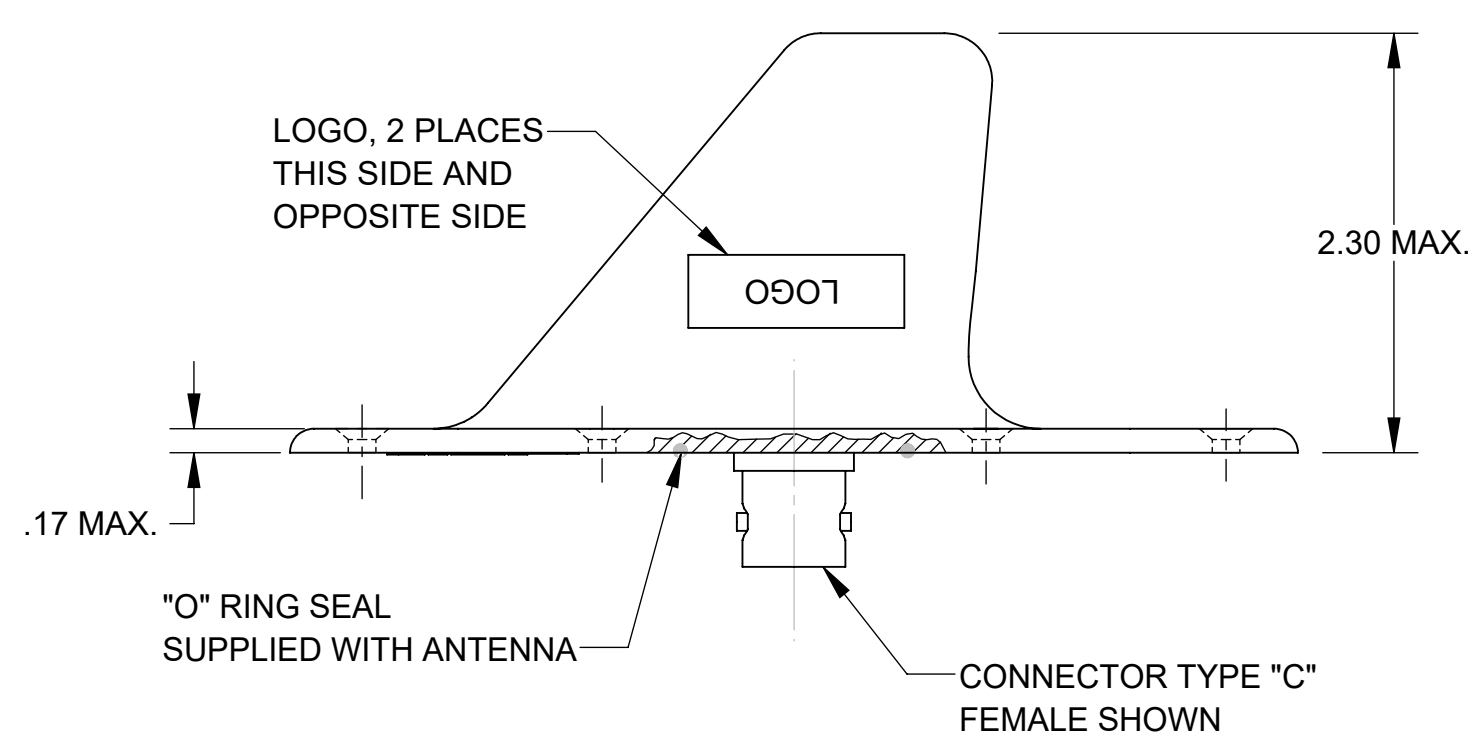
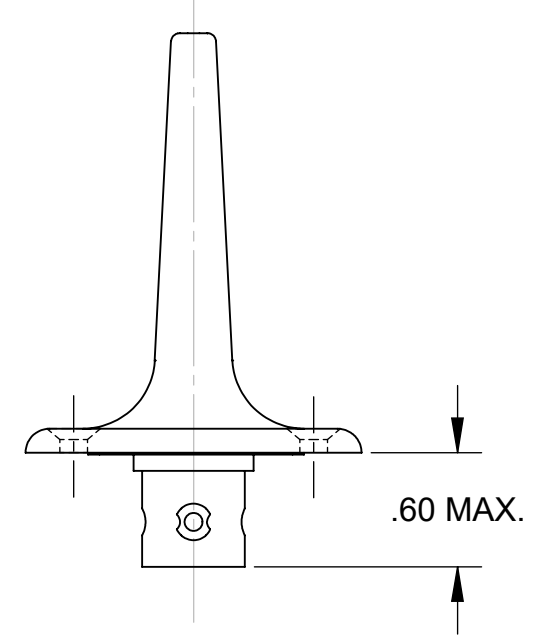


THE INFORMATION CONTAINED IN THIS DRAWING IS THE SOLE PROPERTY OF Comant Industries, inc. ANY REPRODUCTION IN PART OR WHOLE WITHOUT THE WRITTEN PERMISSION OF Comant Industries, inc. IS PROHIBITED.

REVISIONS				
REV.	DESCRIPTION	DATE	APPROVED	
A	RELEASED DRAWING	JF	6/29/04	DH 6/30/04
B	REF ECN 08-095	MN	1/21/09	DH 1/22/08
C	REF ECN 14-114	MN	10/07/14	DH 10/07/14
D	REF ECN 19-111	RM	4/6/20	DH 4/6/20
E	REF ECN 20-086	RM	5/10/21	DH 07/07/21



SPECIFICATION NOTES:

- RF CHARACTERISTICS:
 - FREQUENCY _____ 960 - 1220 MHZ
 - VSWR _____ 1.5:1 MAX
 - POWER _____ PEAK 3KW
 - _____ AVERAGE 100W
 - IMPEDANCE _____ RF 50 OHMS
 - _____ DC SHORT CIRCUIT
 - POLARIZATION _____ VERTICAL
 - GAIN _____ AVERAGE AT HORIZONTAL: 0 dB
 - RADIATION PATTERN _____ OMNI DIRECTIONAL,
 - _____ EQUIVALENT OF A QUARTER WAVE STUB

- FINISH: GLOSS WHITE POLYURETHANE ENAMEL PAINT.
- MOUNTING SURFACE: CHEM FILM CLASS 3 CLEAR PER MIL-C-5541
- SIDE LOAD: WILL WITHSTAND 175 LBS.
- APPROVAL: TSO C74c (ATC TRANSPONDER)
 TSO C66c (DME)
 TSO C112 (ATCRBS / MODE S) CLASS 1A
 RTCA DO-160D ENV. CAT. :[F2X]ACB[S(L)U(F,F1)T(C,C1,R)]
 XRFDXSXXXXX[XX]X[XXXX][1A]XX.
- WEIGHT: .25 LB.
- A11020 INSTALLATION INSTRUCTIONS SUPPLIED WITH ANTENNA.

ASSY DWG. D11016

INSTALLATION DRAWING

QTY REQD	ITEM NO	PART NUMBER	DESCRIPTION	MATERIAL / SPECIFICATIONS								
PARTS LIST												
UNLESS OTHERWISE SPECIFIED		CONTRACT NO.										
DIMENSIONS ARE IN INCHES		Comant Industries, Inc.										
TOLERANCES ON												
DECIMALS .XX ± .03 .XXX ± .010												
FRACTIONS ± 1/16 ANGLES ± 1°												
MACHINE FINISH 125✓ PER ANSI-B46.1		DRAWN	J FRANKS	06/29/04								
REMOVE BURRS AND SHARP EDGES .015 MAX		CHECK	J GOMEZ	06/29/04								
MEET DIMENSIONS BEFORE PLATING		ENGR	D HOLLOWAY	06/29/04								
DIMENSIONS ARE PER ASME Y14.5M		QC	S ADAMS	06/29/04								
MATERIAL :		APPD	D HOLLOWAY	06/29/04								
DO NOT SCALE DRAWING		<table border="1" style="width: 100%;"> <tr> <td>DWG SIZE</td> <td>CODE IDENT</td> <td>DWG. NO.</td> <td>REV.</td> </tr> <tr> <td>C</td> <td>51351</td> <td>CI 110-61-30</td> <td>E</td> </tr> </table>			DWG SIZE	CODE IDENT	DWG. NO.	REV.	C	51351	CI 110-61-30	E
DWG SIZE	CODE IDENT	DWG. NO.	REV.									
C	51351	CI 110-61-30	E									
		SCALE: 1 / 1 CAD FILE: -- SHEET: 1 OF 1										

DWG NO CI 110-61-30 REV. E