

22000 MOUNT SERIES

Features

- Fail-safe when used with snubbing washer
- Axial to radial stiffness of 1:1
- Low natural frequency
- Sturdy, reliable construction

Benefits

- Economical
- Bonded construction provides constant performance characteristics
- Overlapping load ranges

Load Range

- 5 sizes with 25 load ratings to 4,560 lbs. per isolator

Low-profile, high capacity mounts for vibration and shock protection.



22000 Series mounts are designed to withstand the rigors of heavy-duty vehicular applications, off-the-road equipment, large trucks and construction equipment. The standard neoprene elastomer is resistant to oil, and other materials are available on special order.

Applications

- Truck, bus and marine engines
- Generators
- HVAC equipment
- Electronic equipment
- Truck cabs
- Machinery, pumps & compressors

NATURAL FREQUENCY	8-18 Hertz
TRANSMISSIBILITY AT RESONANCE	8:1
RESILIENT ELEMENT	Neoprene
STANDARD MATERIALS	Sintered metal and cold-rolled steel
WEIGHT	See dimensional drawings

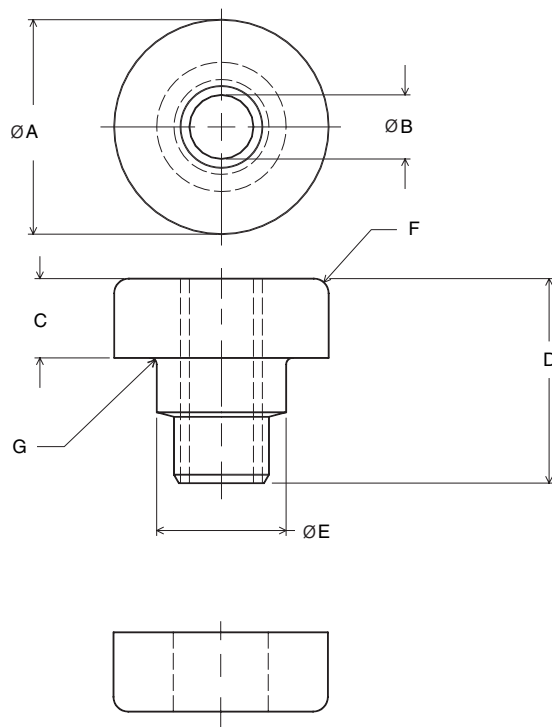
Environmental Data

- Neoprene elastomer has an operating temperature range of -40°C to +93°C and is resistant to oils, most solvents and ozone.
- Special elastomers and finishes are available for applications in severe environments.

22000 Mount Series

Dimensions

22000 MOUNT SERIES
Dimensional Drawing (Inches)



Part #	A	B	C	D	E	F	G	Weight
22001	1.31	.397	.485	1.25	0.79	0.00	0.04	1.5 oz.
22002	1.88	.532	0.78	1.94	1.30	0.15	0.06	5.0 oz.
22003	2.55	.657	0.90	2.43	1.58	0.25	0.09	11.0 oz.
22004	3.50	.938	1.00	2.88	2.30	0.20	0.12	1 lb. 7.5 oz.
22005	4.88	1.063	1.25	3.38	2.55	0.20	0.12	2 lb. 14 oz.



Barry Controls
40 Guest Street • Brighton, MA 02135-9105 • (617) 787-1555 • Fax (617) 787-7807

Dimensions and data are reference only and are subject to change without notice.

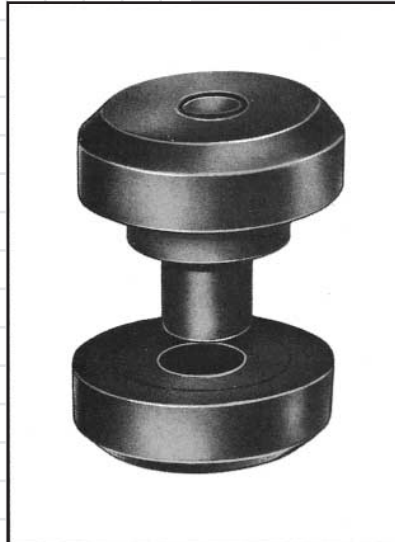
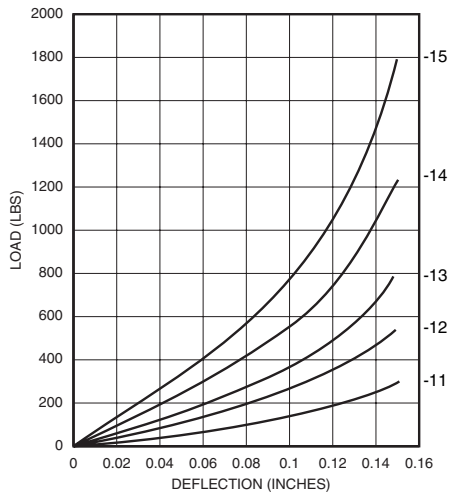
For technical, design, or application assistance, call toll free:

1-800-BARRY MA

22000 Mount Series

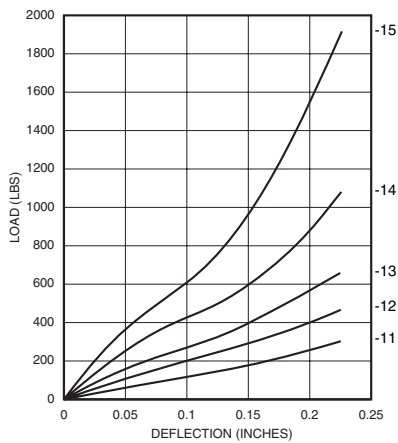
Performance Characteristics

22001 Series Axial Load vs. Deflection

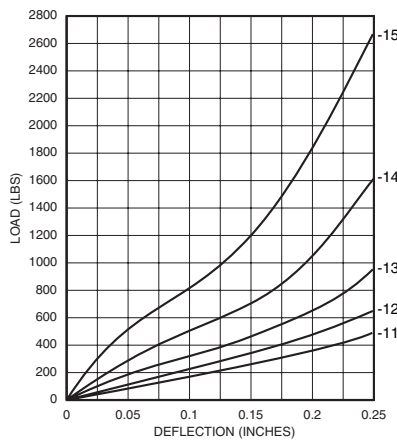


22002 Series Axial Load vs. Deflection

Thin Center Mounting Structure



Thick Center Mounting Structure



Barry Controls
 40 Guest Street • Brighton, MA 02135-9105 • (617) 787-1555 • Fax (617) 787-7807

Dimensions and data are reference only and are subject to change without notice.

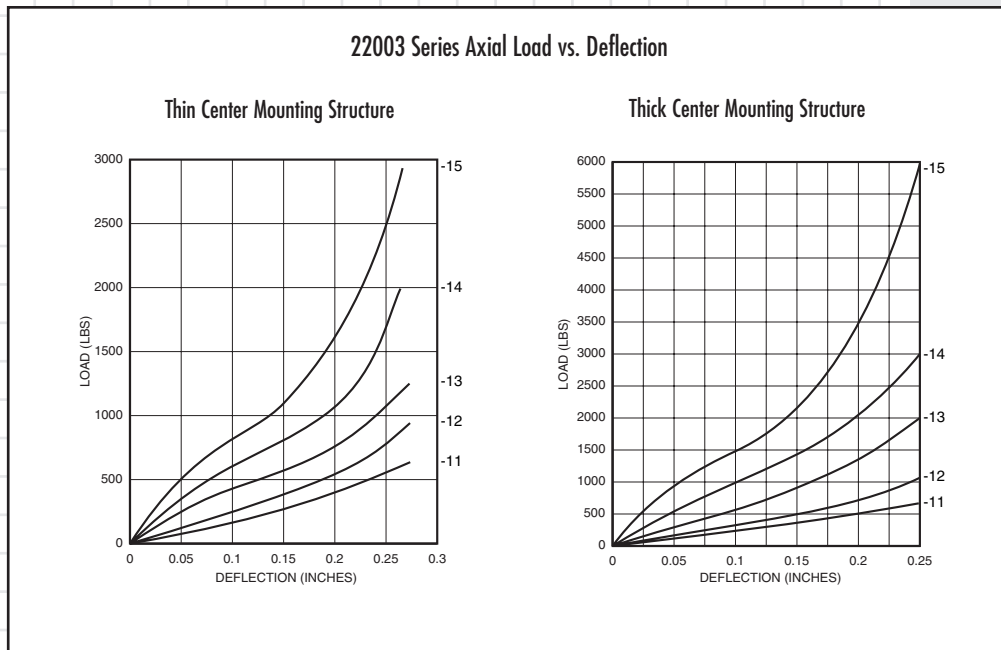
For technical, design, or application assistance, call toll free:

1-800-BARRY MA

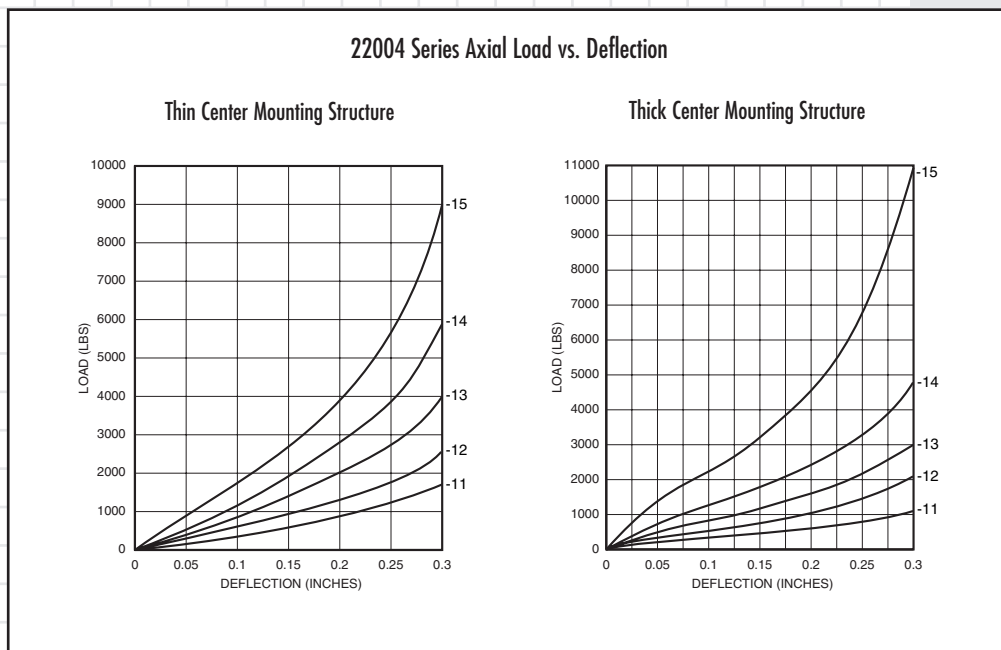
22000 Mount Series

Performance Characteristics

22003 Series Axial Load vs. Deflection



22004 Series Axial Load vs. Deflection



Barry Controls
 40 Guest Street • Brighton, MA 02135-9105 • (617) 787-1555 • Fax (617) 787-7807

Dimensions and data are reference only and are subject to change without notice.

For technical, design, or application assistance, call toll free:

1-800-BARRY MA

22000 Mount Series (Snubbing Washer & 22005)

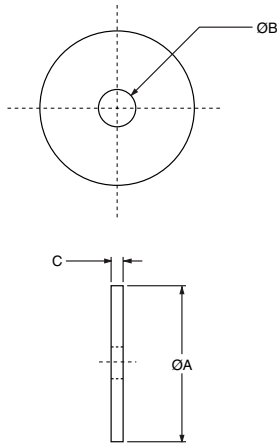
Performance Data & Dimensions

22000 MOUNT SERIES SNUBBING WASHER

The use of snubbing washers is recommended to ensure proper static and dynamic loading of the isolator and retention of suspended equipment under severe shock environments.

Snubbing washers are ordered by separate part numbers as shown in the table below. The standard material is low-carbon steel and the standard finish is zinc plate. Other materials and finishes are available upon request.

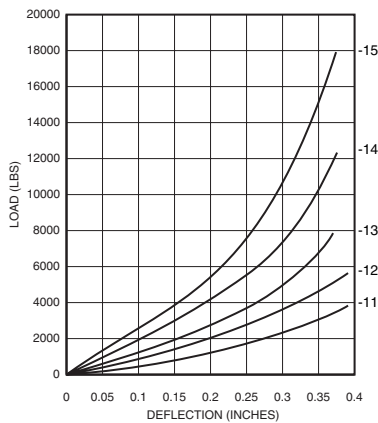
Please consult with Barry Controls Applications Engineering at 1-800-Barry-MA for more information on the use of snubbing washers.



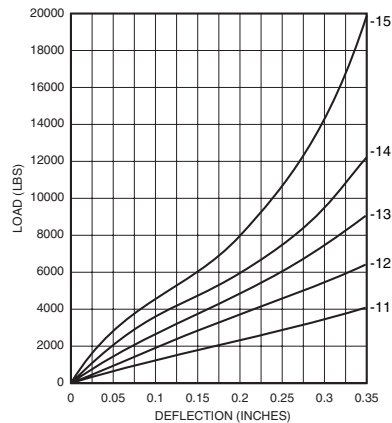
Size	"A" Dia.	"B" Dia.	"C"	Part #
22001	1.56	.391	.090	9810145-01804
22002	2.13	.532	.134	9810145-02804
22003	2.81	.657	.188	9810145-03804
22004	3.88	.938	.250	9810145-04804
22005	5.25	1.063	.375	9810145-05804

22005 Series Axial Load vs. Deflection

Thin Center Mounting Structure



Thick Center Mounting Structure



Barry Controls
40 Guest Street • Brighton, MA 02135-9105 • (617) 787-1555

Dimensions and data are reference only and are subject to change without notice.

For technical, design, or application assistance, call toll free:

1-800-BARRY MA

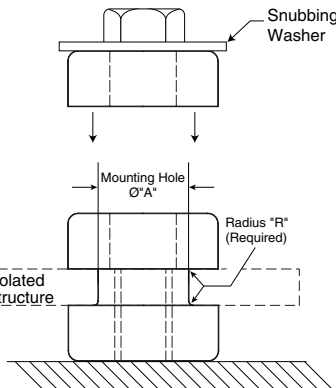
22000 Mount Series

Static Load Ratings & Installation Data

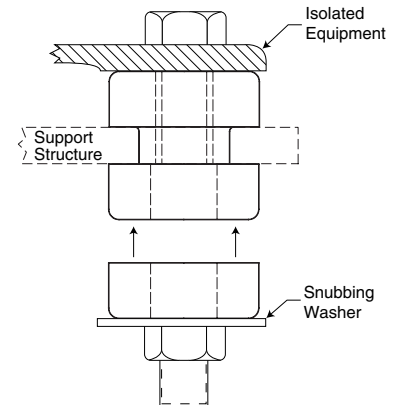
Rated Static Load Per Mount ★

Isolator		Thick Center Mounting Structure (Recommended)				Thin Center Mounting Structure (Optional)				Bolt Information		
Axial (Neoprene)	Color Code (Neoprene)	Plate Thickness	Axial Load (lbs)	Radial Load (lbs)	Axial Nat. Freq. @ Rated Load	Plate Thickness	Axial Load (lbs)	Radial Load (lbs)	Axial Nat. Freq. @ Rated Load	Size	SAE Grade	Max. Torque Dry (ft-lbs)
22001-11	Red & White	.375"	40	20	15 Hz	-	-	-	-	.375"	5	30
22001-12	Yellow & White		90	30			-	-	-			
22001-13	Green & White		140	40			-	-	-			
22001-14	Blue & White		250	50			-	-	-			
22001-15	Purple & White		300	60			-	-	-			
22002-11	Red & White	.563"	130	50	12 Hz	.500"	60	40	15 Hz	.500"	8	120
22002-12	Yellow & White		175	65			120	80				
22002-13	Green & White		240	90			160	125				
22002-14	Blue & White		380	165			210	180				
22002-15	Purple & White		630	280			380	280				
22003-11	Red & White	.875"	210	90	11 Hz	.750"	90	70	15 Hz	.625"	8	220
22003-12	Yellow & White		350	140			150	105				
22003-13	Green & White		490	225			225	160				
22003-14	Blue & White		860	385			325	245				
22003-15	Purple & White		1330	690			500	360				
22004-11	Red & White	1.125"	270	135	10 Hz	1.000"	150	110	15 Hz	.875"	8	600
22004-12	Yellow & White		510	230			300	220				
22004-13	Green & White		770	345			400	300				
22004-14	Blue & White		1170	590			500	400				
22004-15	Purple & White		2100	975			600	580				
22005-11	Red & White	1.25"	1140	240	10 Hz	1.000"	300	150	15 Hz	1.000"	8	900
22005-12	Yellow & White		1930	340			500	220				
22005-13	Green & White		2580	610			700	300				
22005-14	Blue & White		3540	890			900	470				
22005-15	Purple & White		4560	1410			1200	660				

*Ratings are for general industrial applications. For heavy-duty applications, please call Barry Controls Application Engineering at 1-800-BARRY MA.



Part #	(ϕ "A")	"R"
22001	.75	.04
22002	1.25	.06
22003	1.50	.09
22004	2.25	.12
22005	2.50	.12



Barry Controls
40 Guest Street • Brighton, MA 02135-9105 • (617) 787-1555