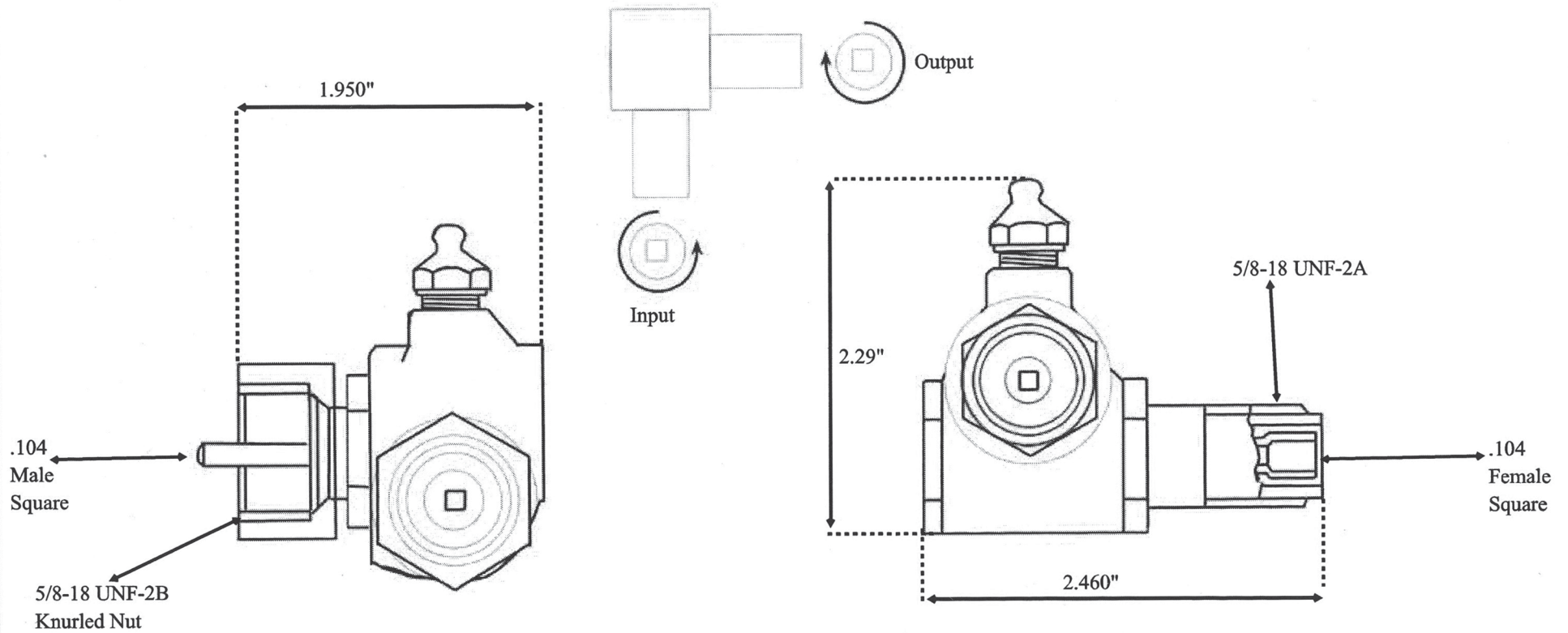


Notes:

1. All connections and case are aluminum.
2. Alternate number AA3535 1.000



This drawing is the property of Gilmore-Global Instruments Co. Inc. Any information contained herein is not to be used, copied, or released to third parties without express written consent of Gilmore-Global Instruments Co. Inc.

PART NO. 407010	SCALE NTS	SHEET 1 of 1
DESCRIPTION Right Angle Drive		
CUST. P/N & REV LEVEL		
DRAWN BY RS	CHKD BY	DATE 12/12

ECO	REV	DATE	DESCRIPTION	Finish	Gilmore-Global Instruments Co. Inc.
				Material	
				Heat Treatment	