

Digital Intercooler Differential

Super Bright. Sunlight Readable Display.

Model 307CD - Centigrade



Model 307FD - Fahrenheit



Features

- Minimum panel space
- Light weight
- Automatic dimming
- Miniature remote probe
- LED display
- Engraved Faceplate
- Centigrade
- Fahrenheit
- FAA - PMA

Specifications

Range: -55°C to +150°C

Range: -60°F to +302°F

Input Voltage: 14 volts/ 28 volts

Input Current: 150 M.A. Max.

Operating Temperature: -25°C to +60°C

Accuracy: ±1% of Full Scale

Weight: 4 oz.

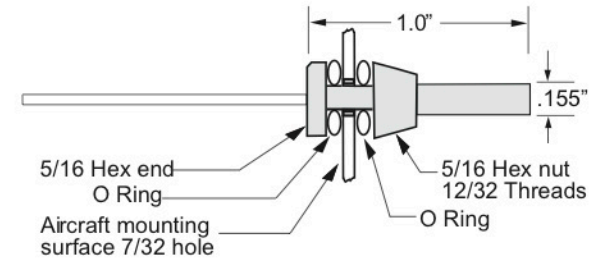
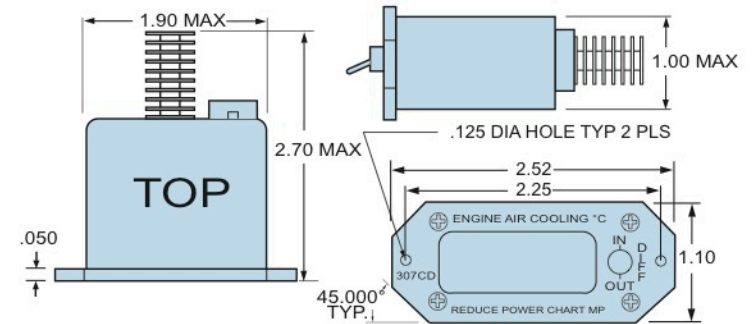
Warranty: One Year

Complete with 2 Analog Probes

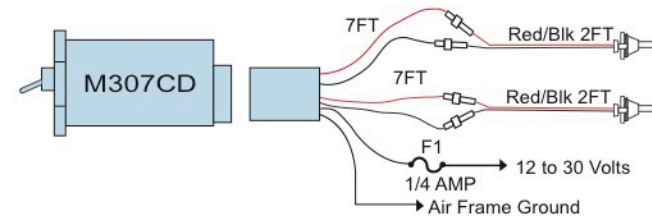


427 Hillcrest Way | Emerald Hills, CA 94062 | (866) 369-5588

MECHANICAL

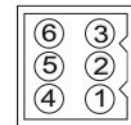


ELECTRICAL



CONNECTOR PIN ASSIGNMENTS

- OUT <
- PIN 1 GROUND - Black
 - PIN 2 8VDC T-OUT PROBE - Red
 - PIN 3 SIGNAL T-OUT PROBE - Black
 - PIN 4 12 to 30 VOLTS POWER INPUT - Red
- IN <
- PIN 5 8VDC T-IN PROBE - Red
 - PIN 6 SIGNAL T-IN PROBE - Black



CONNECTOR REAR VIEW



427 Hillcrest Way | Emerald Hills, CA 94062 | (866) 369-5588