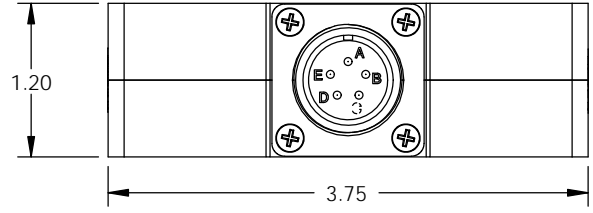
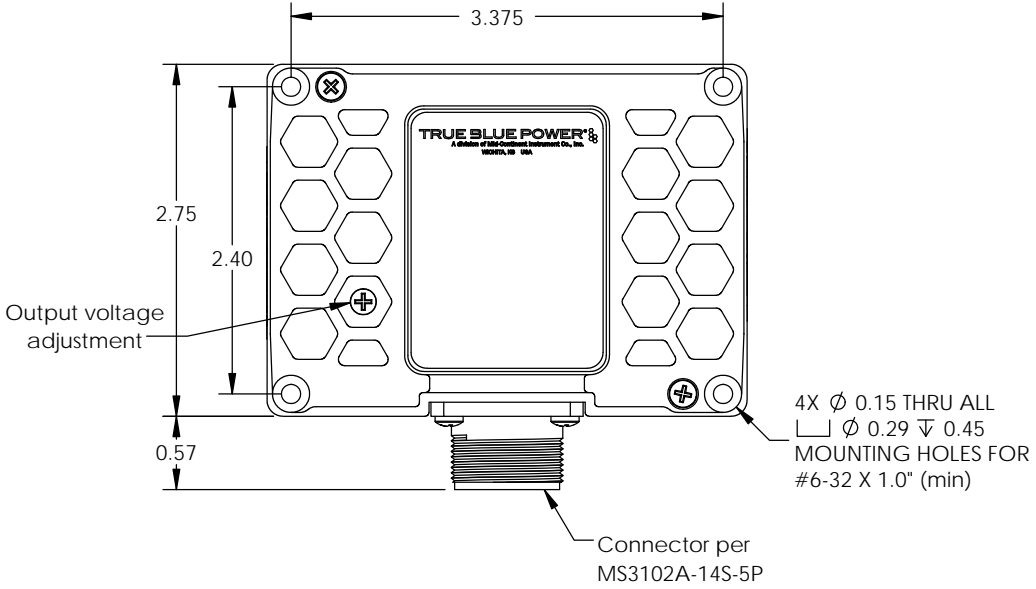
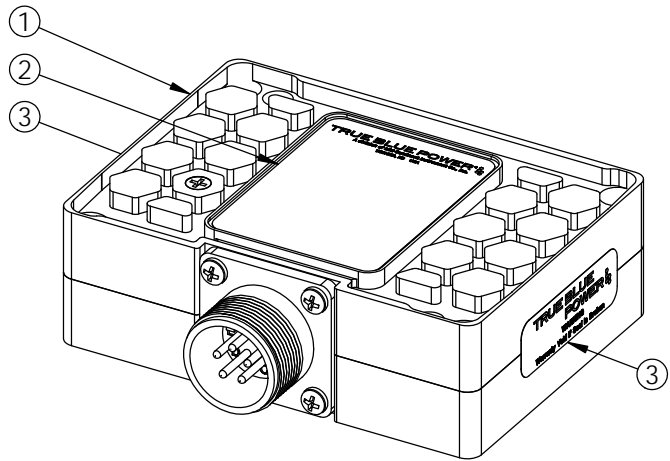


Configuration	
Dash #	
-1	as shown

Revision				
ECO	Rev.	Description	Date	Approved
	A	Production release	02/02/16	VAA/BAW
6559	B	Updated Input v voltage from 22-32 to 24-32 VDC	03/04/16	VAA/TKV



Connector Pinout	
A	DC Input
B	DC Return
C	VDC Output
D	DC Return
E	Remote ON/OFF

Specifications	
Model Number	TC120
Power Input	24-32 VDC 4 Amps nominal @ 28VDC; 5 Amps max
Power Output	5-18 VDC (adjustable); 120 watts 9 Amps @ 14V nominal 13 Amps max
Efficiency	90%
Features	Short-circuit protection; reverse polarity protection; over-voltage protection;
Qualification	FAA TSO-C71 RTCA DO-160G (See Installation Manual)
Temperature	-55°C to +70°C
Mating Connector	MS3106A14S-5S or equivalent
Case	Machined aluminum, blue anodized
Weight	0.60 lbs (0.27 kg) max
Install Manual	P/N 9018558

Item	Qty	Part Number	Description
1	1	9018490-1	Assy, TC120
2	1	9018491	Nameplate, TC120
3	2	6018956-1	Decal, Warranty, TBP

UNLESS OTHERWISE SPECIFIED, ALL DIMENSIONS ARE IN INCHES.  
TOLERANCE:  
FRACTIONAL = ±1/64  
.XX = ±0.015  
.XXX = ±0.005  
.XXXX = ±0.002  
ANGULAR = ±0.5°  
CONCENTRICITY: 0.005 TIR  
BREAK ALL SHARP EDGES  
THREADS PER MIL-S-7742

DRAWN:  
VAA  
11/11/2015  
  
APPROVED:  
BAW  
2/2/2016

This document discloses proprietary information of Mid-Continent Instrument Co., Inc. It may be reproduced or disclosed only with written permission of Mid-Continent Instrument Co. and is not to be used in any way detrimental to the interests of Mid-Continent Instrument Co., Inc.

TITLE:  
**Converter, DC/DC, 120W**

SCALE: 2:3      DO NOT SCALE THIS DRAWING

**TRUE BLUE POWER**  
A division of Mid-Continent Instrument Co., Inc.

PART NUMBER:  
**6430120**

SHEET: 1 of 1